

INSTALLATION & OPERATION MANUAL



Atlas Cycle Lift 1,000 lb. Capacity Portable Motorcycle Lift



Atlas Automotive Equipment
www.atlasautoequipment.com
(866) 898-2604

Read this entire manual before operation begins.

Record below the following information which is located on the serial number data plate.

Serial No. _____

Model No. _____

Date of Installation _____

———— Contents ————

Inspection Upon Receipt Of The Lift . . .	4
Assembly	5
Operation And Use	8
Safety And Maintenance	10
Parts List	11



Lift Delivery

1. When you receive the lift look for freight damage and make note of any damage on the bill of lading.
2. In case of freight damage, call the truck line immediately and report the damage as a freight claim.

Assembly

- Step 1** Unpack the lift from the shipping package. Connect the air hose
- Step 2** Connect the other end of the air hose to the foot-operated valve. Put a small amount of air tool oil in the inlet side of the valve. Then connect the foot-operated valve to a 90-100 PSI air supply. **DO NOT USE AIR SUPPLY WITH PRESSURE MORE THAN 100 PSI.**
- Step 3** Release the lock bar by pushing the handle down. Operate the foot valve by stepping on the footpad and push forward to raise the lift. The lock bar should engage the ladder automatically while lift is rising.
- Step 4** Bring the footpad to the middle position to stop the lift when it reaches the desired height. **ALWAYS LOWER LIFT TO THE NEAREST LOCKED POSITION BEFORE BEGINNING WORK. NEVER USE THE LIFT UNLESS YOU ARE IN A LOCKED POSITION.**
- Step 5** Lubricate the joints again before use to ensure a better performance of the lift. While the lift is fully raised, lubricate the top of the air cylinder with a few drops of air tool oil.
- Step 6** To install the vise refer to Fig. 1:
a. Install the vise clamp using (4) M8 x 20 bolts, lock washers, and nuts.
b. Install the moveable vise arm into the vise clamp.
c. Install the fixed vise arm using (6) M8 x 20 bolts, lock washers, and nuts.
- Step 7** Install wheel stop as shown in Fig. 1 using M8 x 20 bolts, lock washers, and nuts.
- Step 8** Install tie down eyelets as shown in Fig. 1 using M10 eyebolts, washers, and nuts.
- Step 9** Make sure the drop tail portion of the lift is properly secured. Use 2 supplied detent pins to lock into place.
- Step 10** Install the approach ramp by dropping it into the holes on the rear edge of the table.

XLT Side Extension Kit Installation (THIS KIT IS OPTIONAL)

- Step 1** Run the tubes through the holes on the side of the table (holes will be at the ends and the middle). Install the side extensions onto the protruding tubes, see Fig. 2. Use locking pins provided to secure the tubes as seen in Fig. 3.
- Step 2** Drop the ramps for the side extensions in place as shown, Fig. 3. Attach the ramp side extensions using M6 x 16 bolts, lock washers, and nuts.

Operating Conditions

Lift is not intended for outdoor use and has an operating ambient temperature range of 41°-104°F (5°-40°C).

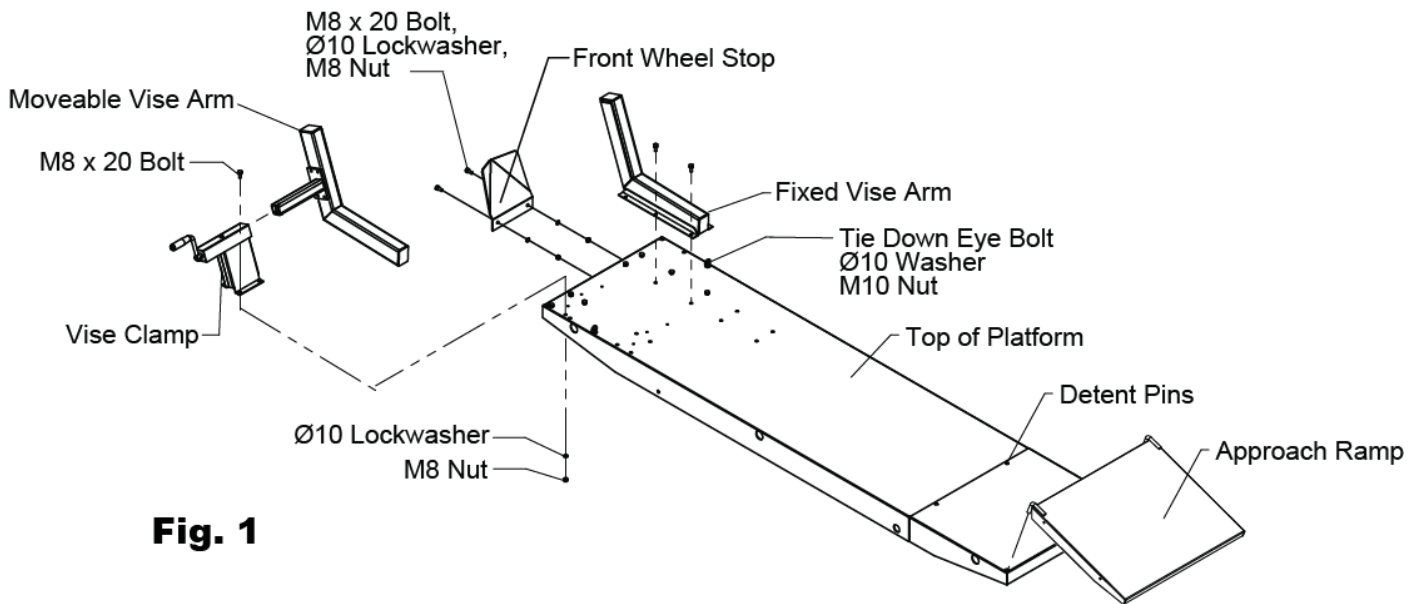


Fig. 1

NOTE: XLT KIT IS OPTIONAL

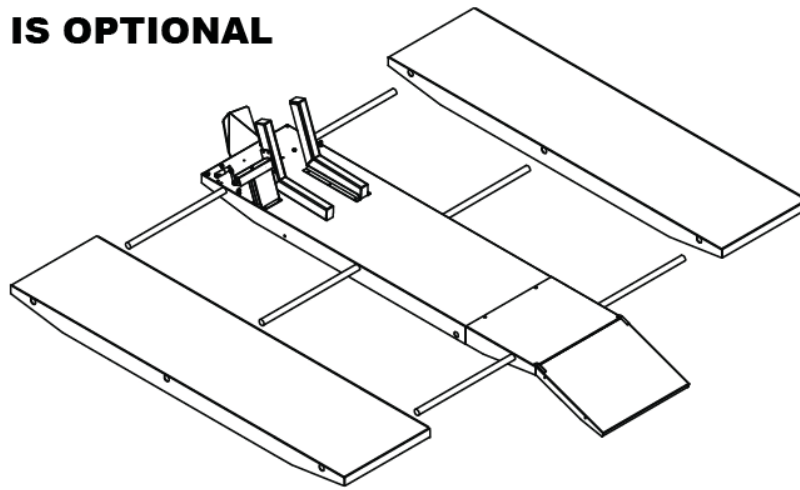


Fig. 2

NOTE: XLT KIT IS OPTIONAL

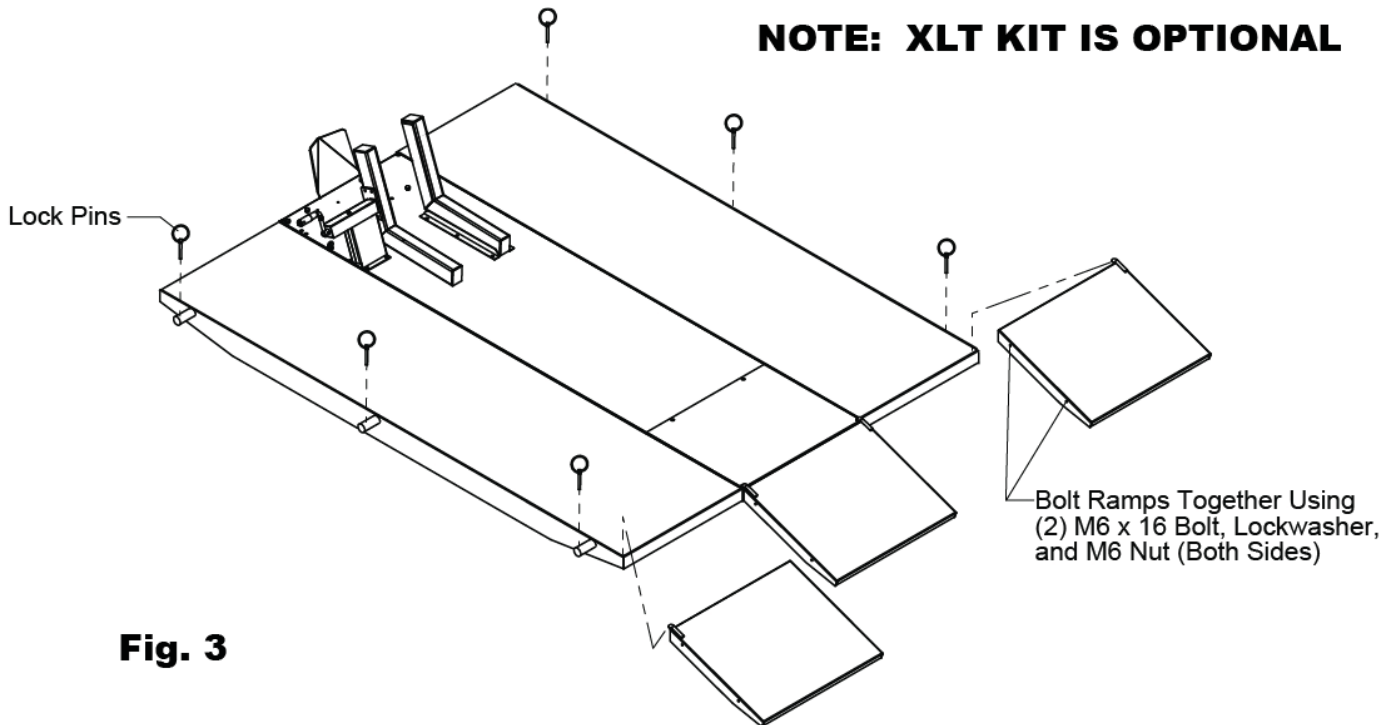


Fig. 3

Operation And Use

1. Lift must be fully lowered and service bay clear of all personnel before the vehicle is brought on lift.
2. Motorcycle Loading:
 - A. Put motorcycle onto lift. Be sure motorcycle is centered on lift from side to side.
 - B. Stop when motorcycle front wheel is in wheel clamp/stop.
 - C. Secure motorcycle to lift using clamps and straps.

 **IMPORTANT** | **Straps MUST be used to secure motorcycle. Clamps are for temporary holding only.**

3. To Raise Lift:
 - A. Release lock handle from lift.
 - B. Actuate footpad up on the foot pedal.
 - C. Raise to desired height. Note: lock should be clicking into place as lift is raised. If not, stop. Lower lift to ground then repeat entire step 4.
 - D. Actuate the footpad back on the foot pedal and lower lift onto locks.

 **CAUTION** | **DO NOT go under lift or vehicle if locking latches are not engaged.**

4. While Using Lift:
 - A. Avoid excessive rocking of vehicle while on lift.
 - B. To use the drop tail portion of the lift a cycle lift jack should be used allowing for removal of the drop tail and for clear access to rear wheel service.

5. To Lower Lift:

A. Remove all tools or other objects from lift area.

 **IMPORTANT** | **Ensure drop tail is properly secured back onto lift using supplied detent pins.**

B. Actuate the footpad on foot pedal forward to raise lift off locking latches.

C. Rotate lock back up under lift, make sure it locks into place.

D. Actuate footpad on foot pedal back to lower.

6. Remain clear of lift when lowering vehicle. Observe pinch points.

7. Remove motorcycle from lift.

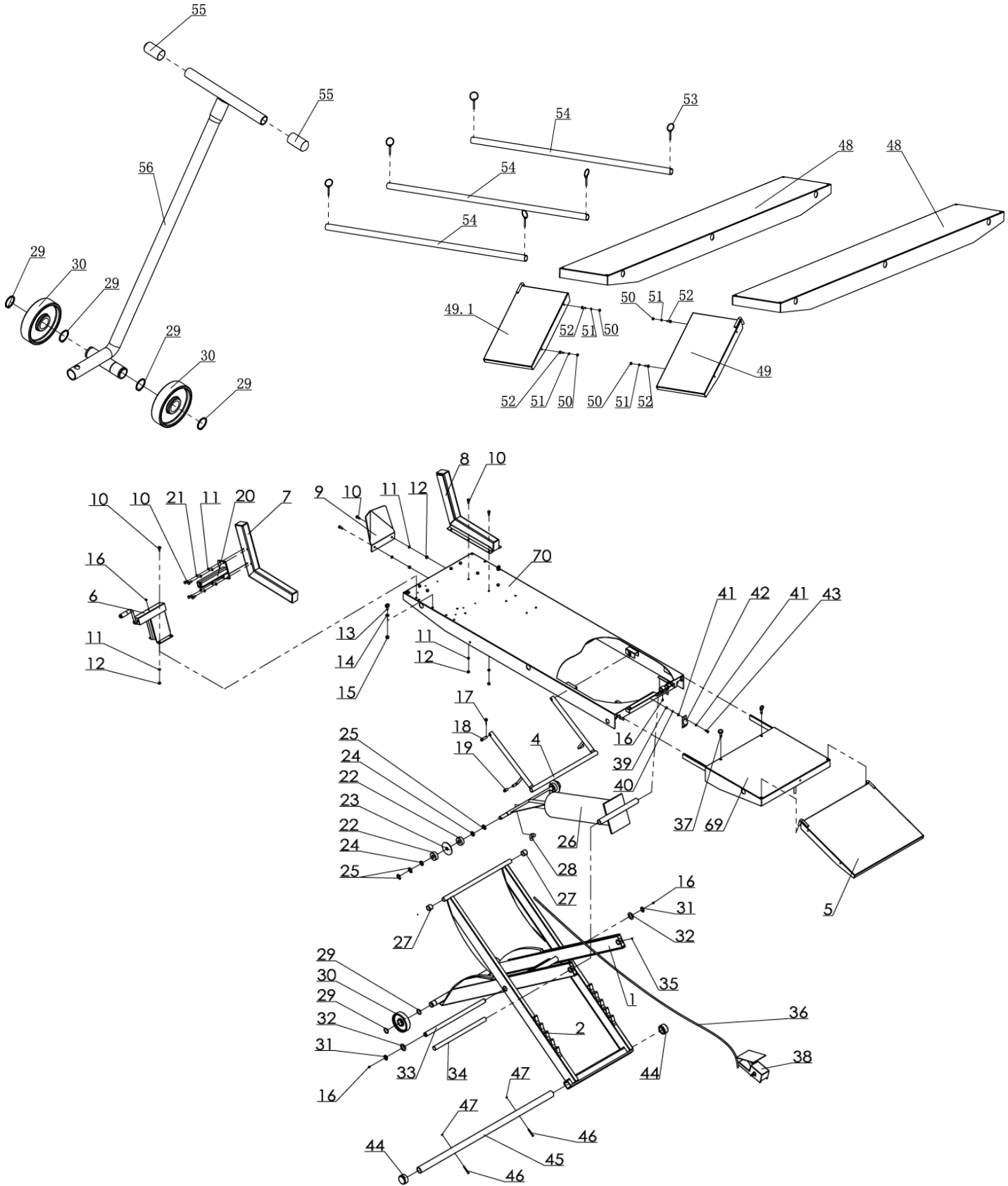
8. If lift is not operating properly, **do not** use until adjustment or repairs are made by qualified lift service personnel.

Safety And Maintenance

To Avoid Personal Injury, permit only qualified lift service personnel to perform maintenance on this equipment. Use only the correct replacement parts for repairs.

- Always keep all bolts tight. Check periodically.
- Always raise lift when cleaning floor area.
- Always keep lift clean.
- Daily: Inspect for damage or excessive wear. Replace parts as required.
- Daily: Check locking latch operation.
- Weekly: Inspect all lift parts for signs of damage due to overloading and rough handling.
- Monthly: Lubricate hinge joints paying extra attention to all locations with zirk fittings. Use air tool oil on inlet side of foot-controlled valve. Oil the top/back portion of the air cylinder.

Parts List



Item	Part Number	Description	Qty
1	AL-1000	Scissor A-Outside	1
2	AL-2000	Scissor B-Inside	1
4	AL-4000	Lock Bar	1
5	AL-5202	Center, Approach Ramp B	1
6	AL-5400	Vise Clamp Handle-Assembly	1
7	AL-5302	Vise, Moving Jaw-Assembly	1
8	AL-5301	Vise, Stationary Jaw	1
9	AL-5604	Wheel Stop	1
10	B10-8x20	Bolt M8×20	16
11	B40-8	Lock Washer Ø8	16
12	B30-8	Nut M8	12
13	B27-10x20	'Tie Down'' Eye Bolt M10×20	2
14	B41-10	Flat Washer Ø10	2
15	B30-10	Nut M10	2
16	B85-6	Grease Zerk M6	5
17	B52-3×30	Cotter Pin Ø3×30	2
18	B53-12×45	Pin (B) Ø12×45	2
19	AL-4004	Plastic Grip	2
20	AL-5303	Moveable Vise Extension	1
21	B41-10	Flat Washer Ø10	4
22	AL-6006	Wheel	4
23	AL-6004	Washer	2
24	B41-18	Flat Washer Ø18	4
25	B60-19	C-clip Ø19	6
26	YG09-9100	Air Cylinder	1
27	AL-6007	Bearing/Scissor	2
28	YG09-9106	Fitting	1
29	B60-32	Spacer Ø32	8
30	AL-5501	Wheel	4
31	B60-25	Spacer Ø25	2

Item	Part Number	Description	Qty
32	AL-6005	Washer	2
33	AL-6003	Shaft/Scissor pivot	1
34	AL-6002	Shaft/Scissor pivot	1
35	B21-6×8	Set Screw M6×8	2
36	YG09-9301	Air Hose	1
37	ALG-2010	Detent Pin	2
38	YG09-9300	Foot-Operated Valve	1
39	B30-5	Nut M5	1
40	B40-5	Lock Washer Ø5	1
41	B41-5	Flat Washer Ø5	2
42	AL-6001	Lock Bar Holder	1
43	B10-5×16	Bolt M5×16	1
44	AL-5603	End Cap, Stabilizing Tube	2
45	AL-5602	Stabilizing Tube	1
46	B10-6×50	Bolt M6×50	2
47	B30-6	Nut M6	2
48	AL-5101	Side Extension	2
49	AL-5201	XLT Approach Ramp, Left Side EXT	1
49.1	AL-5201DC	XLT Approach Ramp, Left Side EXT	1
50	B30-6	Nut M6	6
51	B40-6	Lock Washer Ø6	4
52	B10-6×16	Bolt M6×16	4
53	AL-5605	Lock Clip Pins	6
54	AL-5601	Extension Panel Tube	3
55	B81-26	Plastic Handle Grip Ø26.8/Dolly	2
56	AL-5510	Dolly	1
69	ALG-2000	Extension Table	1
70	ALG-1000	Lift Table	1